



## TDX 650A

### Walk behind duplex roller for soil and asphalt

A brand new Lightweight Twin-Drum Walk-Behind Roller with Hydrostatic drive system. The TDX 650A has a high compaction force but is also compact with well positioned controls making it easy to operate. Suitable for a wide range of soil and asphalt compaction applications.



[Advantages](#)

[Specifications](#)

[Static Dimensions](#)

[Media](#)

[Videos](#)

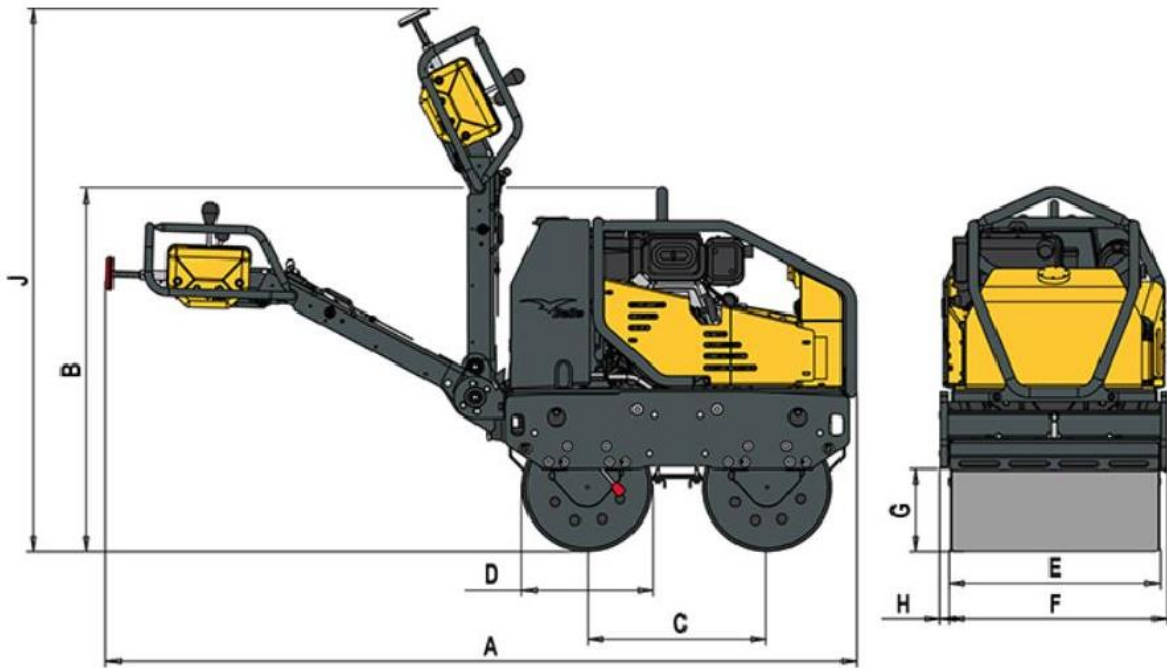
[Options](#)

### Advantages

- Highly responsive, low-maintenance Hydrostatic drive system.
- High-powered, reliable, 10hp Air-Cooled, Electric Start Yanmar Diesel engine or 6.9hp Water Cooled Electric Start Kubota EA330 engine.
- 16kN high compaction force for productivity
- Recoil Start back-up on Yanmar engine.
- High-quality Hydraulic System components.
- 65 litre Water Tank with external gauge.
- Wall clearance on both sides with no overhang.
- Self-cleaning, adjustable Scraper Bars.
- 18 litre Hydraulic Oil Tank.
- Easy access, removable, front and rear anticorrosive water sprinkler system.
- Foldable handle with locking mechanism.
- Easy to service - Remote Oil Drain. Remote Oil Fill. Air Cleaner Access.
- Drain on Water Tank to prevent frost damage.
- Centrally located Lifting Eye and 4 x Strapping/ Lifting Points.
- Key Switch protection.
- 2-layer factory powder coated components.
- Customer colour options available.
- Optional Hourmeter available.

Advantages		Specifications		Static Dimensions		Media	Videos	Options		
Ref	Model	Engine Power (hp/kW)	Starting System	Frequency (vpm)	Forward Travel Speed (km/hr)	Reverse Travel Speed (km/hr)	Force (kN)	Water Tank Capacity (Ltr)	Oil Tank Capacity (Ltr)	Weight (kg)
650AYGRY4	TDX 650A Twin Drum Roller	Yanmar L100N Diesel 10 / 7.4	Electric (with Recoil Start back-up option)	3300	> 3.9	> 2.1	16	65	16	675
650AKGRY4	TDX 650A Twin Drum Roller	Kubota EA330 Diesel 6.9 - 5.2	Electric	3300	> 3.9	> 2.1	16	65	16	684

## STATIC DIMENSIONS



		TDX 650A
<b>A</b> - Overall Length	(mm)	2318
<b>B</b> - Overall Height	(mm)	1137
<b>C</b> - Wheel Base	(mm)	560
<b>D</b> - Drum Diameter	(mm)	402
<b>E</b> - Drum Width	(mm)	650
<b>F</b> - Overall Width	(mm)	703
<b>G</b> - Curb Clearance	(mm)	258
<b>H</b> - Lateral Overhang	(mm)	26.5
<b>J</b> - Height at Storage	(mm)	1678